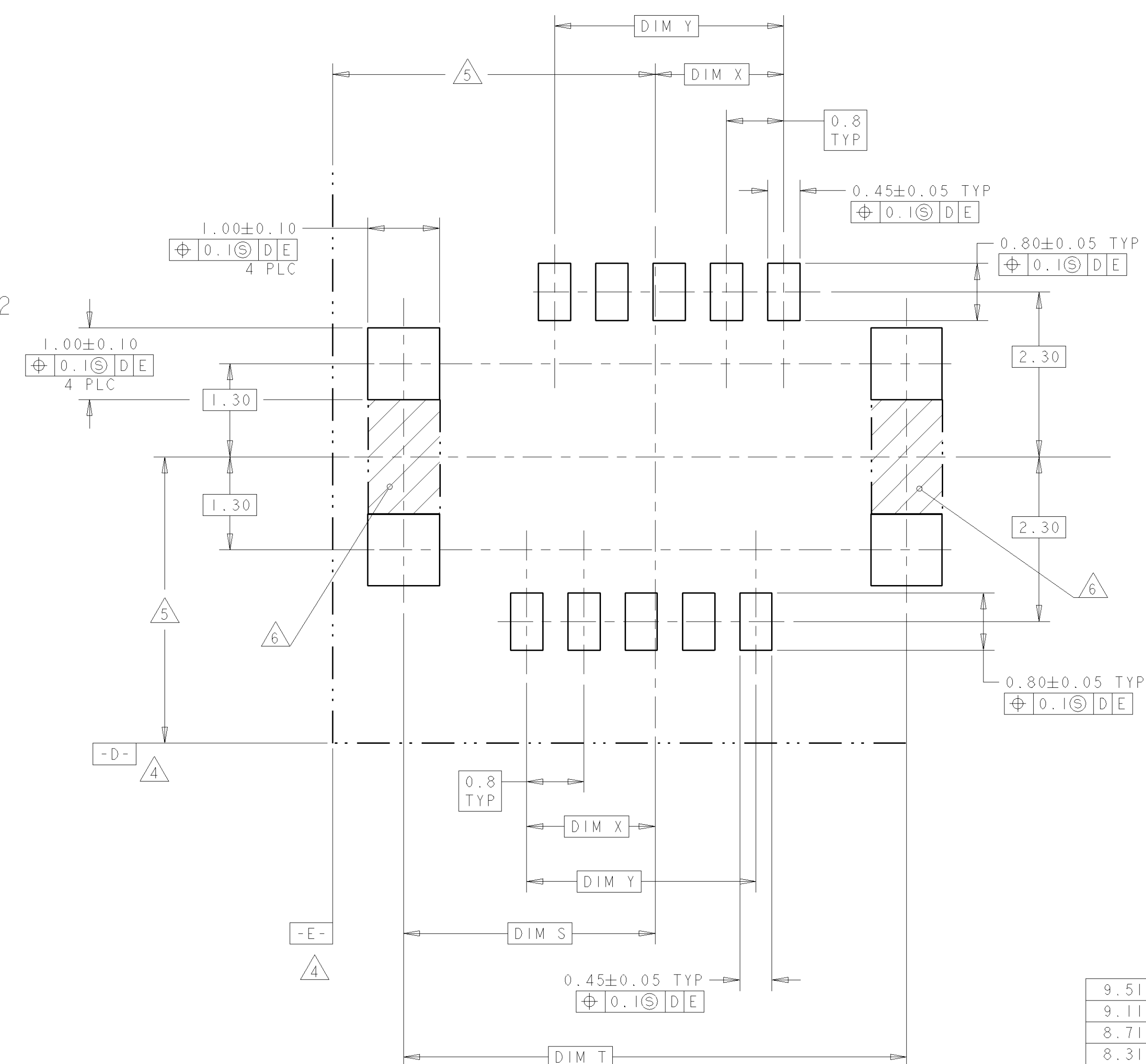
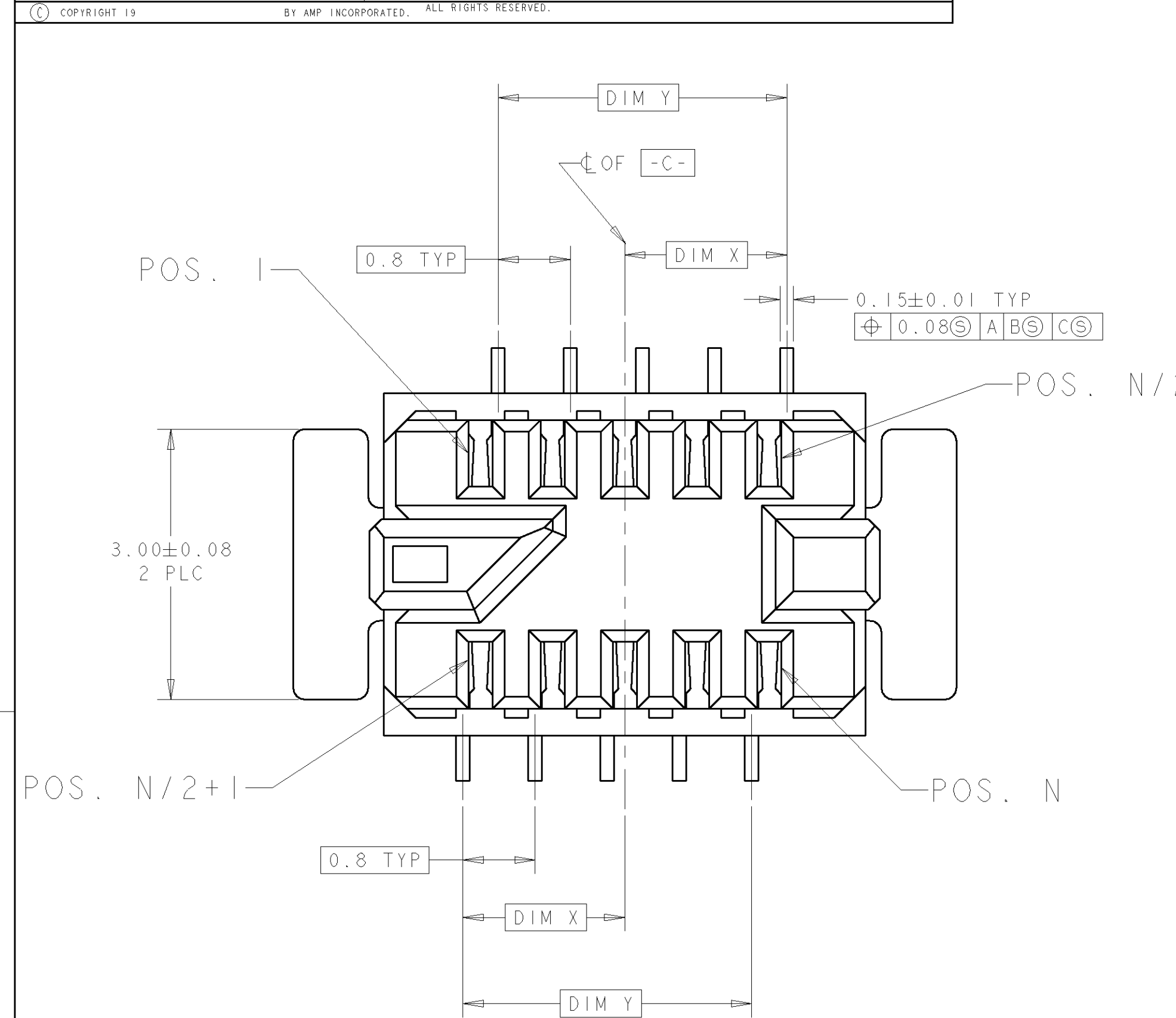
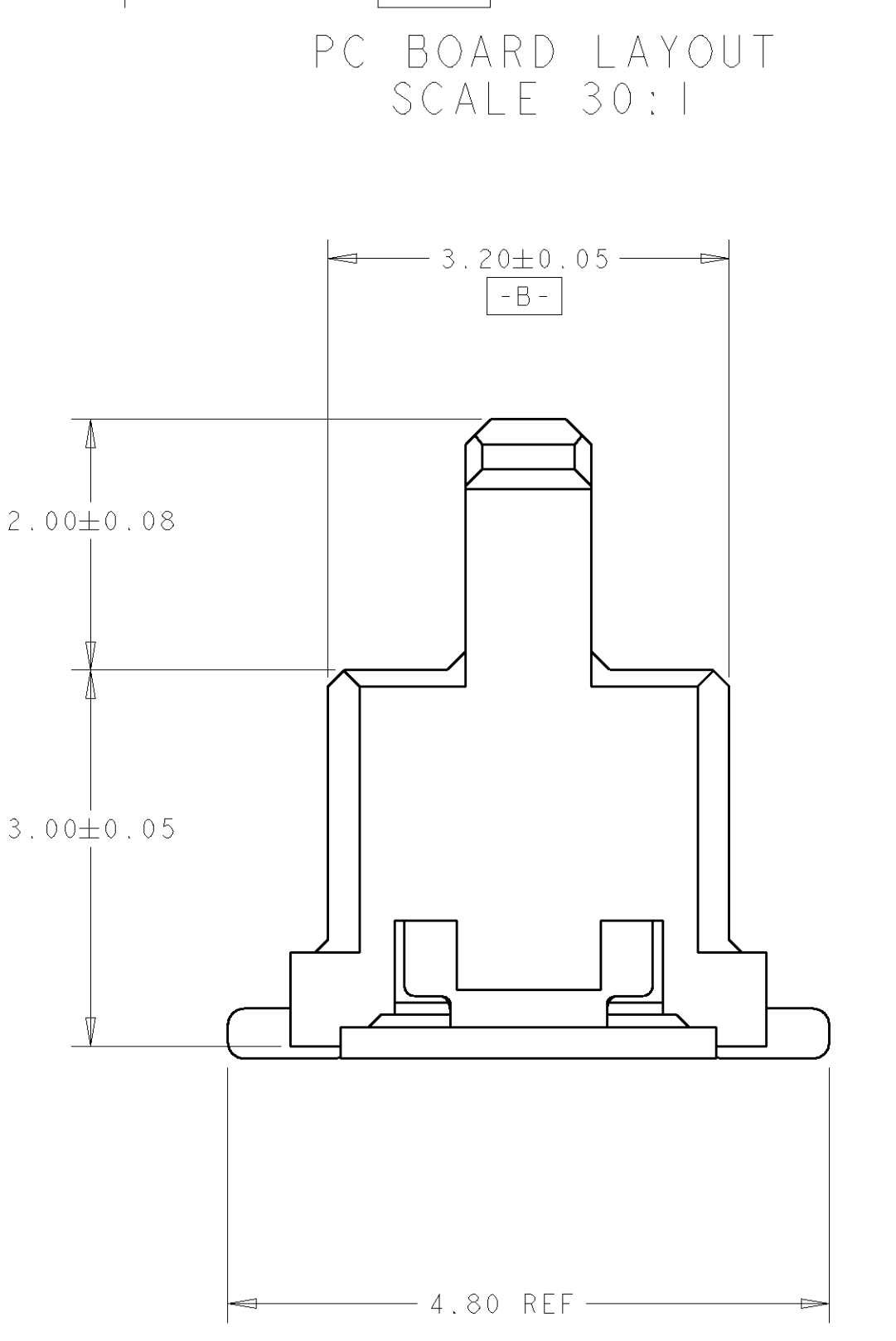
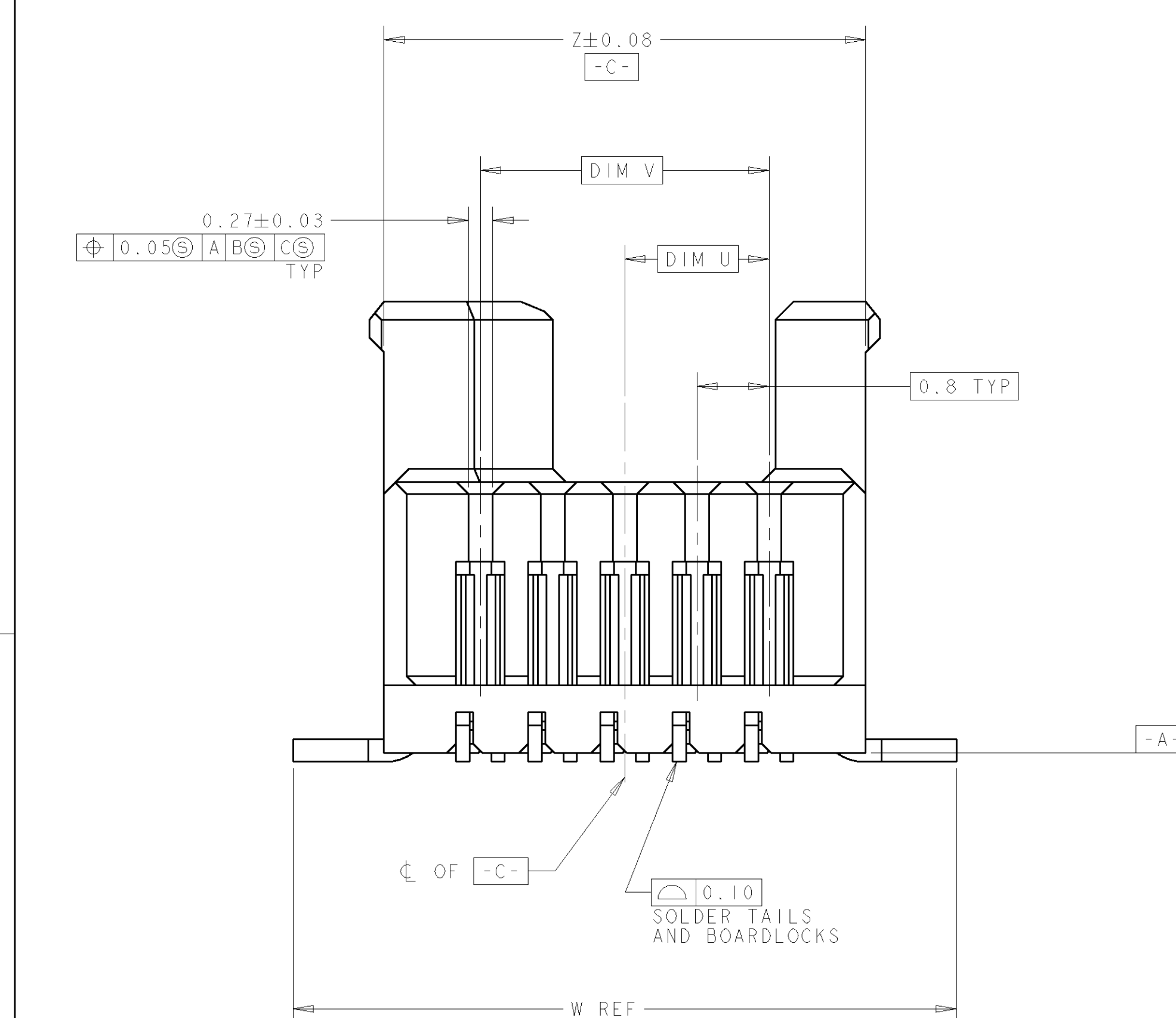


REV. NO.		REVISIONS			
REV	DATE	DESCRIPTION	BY	APPD	
0	13DEC01	REV PER OG3C-0326-01	RB	JM	
A	27OCT03	REV PER OG3C-0367-03	RB	JM	
B	20FEB2006	OG3C-0736-04	RB	DR	



- △ HOUSING MATERIAL; UL94 V-0 RATED LCP, COLOR: NATURAL. CONTACT MATERIAL; PHOS BRONZE BOARDLOCK MATERIAL; BRASS
- △ CONTACT PLATING; 0.76 μm MIN GOLD IN MATING AREA 0.13 μm - 0.20 μm GOLD IN SOLDER AREA. BOTH OVER 1.27 μm MIN NICKEL ON ENTIRE STOCK.
- △ BOARDLOCK PLATING; 3.8 μm MIN BRIGHT TIN/LEAD ON ENTIRE STOCK OVER 1.27 μm MIN NICKEL ON ENTIRE STOCK.
- △ DATUMS ESTABLISHED BY CUSTOMER.
- △ BASIC DIMENSIONS ESTABLISHED BY CUSTOMER.
- △ NO TRACES ON EXTERNAL BOARD LAYER IN THIS AREA.
- △ BOARDLOCK PLATING; 3.8 μm MIN TIN ON ENTIRE STOCK OVER 1.27 μm MIN NICKEL ON ENTIRE STOCK
- △ ROHS 2002/95/EC COMPLIANT.



DIM S	DIM T	DIM U	DIM V	W REF	DIM X	DIM Y	Z	FINISH	NO. OF POS.	PART NUMBER
9.51	19.02	7.6	15.2	19.35	7.795	15.2	17.34		40	6-1375870-8
9.11	18.22	7.2	14.4	18.55	7.395	14.4	16.54		38	6-1375870-7
8.71	17.42	6.8	13.6	17.75	6.995	13.6	15.74		36	6-1375870-6
8.31	16.62	6.4	12.8	16.95	6.595	12.8	14.94		34	6-1375870-5
7.91	15.82	6	12	16.15	6.195	12	14.14		32	6-1375870-4
7.51	15.02	5.6	11.2	15.35	5.795	11.2	13.34		30	6-1375870-3
7.11	14.22	5.2	10.4	14.55	5.395	10.4	12.54		28	6-1375870-2
6.71	13.42	4.8	9.6	13.75	4.995	9.6	11.74		26	6-1375870-1
6.31	12.62	4.4	8.8	12.95	4.595	8.8	10.94		24	6-1375870-0
5.91	11.82	4	8	12.15	4.195	8	10.14	△2 △7 △8	22	5-1375870-9
5.51	11.02	3.6	7.2	11.35	3.795	7.2	9.34		20	5-1375870-8
5.11	10.22	3.2	6.4	10.55	3.395	6.4	8.54		18	5-1375870-7
4.71	9.42	2.8	5.6	9.75	2.995	5.6	7.74		16	5-1375870-6
4.31	8.62	2.4	4.8	8.95	2.595	4.8	6.94		14	5-1375870-5
3.91	7.82	2	4	8.15	2.195	4	6.14		12	5-1375870-4
3.51	7.02	1.6	3.2	7.35	1.795	3.2	5.34		10	5-1375870-3
3.11	6.22	1.2	2.4	6.55	1.395	2.4	4.54		8	5-1375870-2
2.71	5.42	0.8	1.6	5.75	0.995	1.6	3.74		6	5-1375870-1
9.51	19.02	7.6	15.2	19.35	7.795	15.2	17.34		40	1-1375870-8
9.11	18.22	7.2	14.4	18.55	7.395	14.4	16.54		38	1-1375870-7
8.71	17.42	6.8	13.6	17.75	6.995	13.6	15.74		36	1-1375870-6
8.31	16.62	6.4	12.8	16.95	6.595	12.8	14.94		34	1-1375870-5
7.91	15.82	6	12	16.15	6.195	12	14.14		32	1-1375870-4
7.51	15.02	5.6	11.2	15.35	5.795	11.2	13.34		30	1-1375870-3
7.11	14.22	5.2	10.4	14.55	5.395	10.4	12.54		28	1-1375870-2
6.71	13.42	4.8	9.6	13.75	4.995	9.6	11.74		26	1-1375870-1
6.31	12.62	4.4	8.8	12.95	4.595	8.8	10.94		24	1-1375870-0
5.91	11.82	4	8	12.15	4.195	8	10.14	△2 △3	22	1375870-9
5.51	11.02	3.6	7.2	11.35	3.795	7.2	9.34		20	1375870-8
5.11	10.22	3.2	6.4	10.55	3.395	6.4	8.54		18	1375870-7
4.71	9.42	2.8	5.6	9.75	2.995	5.6	7.74		16	1375870-6
4.31	8.62	2.4	4.8	8.95	2.595	4.8	6.94		14	1375870-5
3.91	7.82	2	4	8.15	2.195	4	6.14		12	1375870-4
3.51	7.02	1.6	3.2	7.35	1.795	3.2	5.34		10	1375870-3
3.11	6.22	1.2	2.4	6.55	1.395	2.4	4.54		8	1375870-2
2.71	5.42	0.8	1.6	5.75	0.995	1.6	3.74		6	1375870-1

<small>THIS DRAWING IS UNPUBLISHED. RELEASED FOR PUBLICATION. ALL RIGHTS RESERVED. ORGANIZATION SHOULD BE CONTACTED FOR THE LATEST REVISION.</small>		DWN: KOEGL CHK: W. DAVIS DATE: 07JUN2000 APPD:	AMP Tyco Electronics Harrisburg, PA 17105-3608
DIMENSIONS: mm TOLERANCES UNLESS OTHERWISE SPECIFIED: 0 PLC ± 1 PLC ± 2 PLC ± 3 PLC ± 4 PLC ± ANGLES ±	PRODUCT SPEC: 108-1955 APPLICATION SPEC: 114-13051 WEIGHT: - CUSTOMER DRAWING	NAME: AMPMODU MICRO INTERCONNECT RECEPTACLE ASSEMBLY SIZE: A1 CAGE CODE: 00779 DRAWING NO: 1375870 SCALE: 20:1	SHEET 1 OF 1 REV B